



**New Built-In Model BI-36UG
Over-and-Under with Glass Door**

Over-and-under Model BI-36UG offers large refrigerated storage with a glass door, plus a convenient roll-out freezer drawer. Sub-Zero dual refrigeration along with new air purification and water filtration systems guard the freshness of your food and water like nothing before. Framed, overlay/flush inset and stainless steel models are available. A new flush inset installation option allows the unit to sit flush with surrounding cabinetry.



Stainless steel Model BI-36UG shown with tubular handles.

Features

- Framed, overlay/flush inset and stainless steel design applications
- Flush inset installation option allows unit to sit flush with surrounding cabinetry
- Triple-pane, UV-resistant glass door
- Air purification system
- Water filtration system
- Dual refrigeration system
- Flip-up grille for easy access to condenser
- Door shelves are adjustable in one-inch increments
- Crisper and deli drawers form a special low-temperature zone
- Informational freshness cards inside unit
- Max ice feature to increase rate of ice production for a 24-hour period
- Exceeds tough Department of Energy standards

Model Options	BI-36UG/F	BI-36UG/O	BI-36UG/S/TH	BI-36UG/S/PH	BI-36UG/S/CH
Design	Framed	Overlay/Flush Inset	Stainless	Stainless	Stainless
Grille	Louvered	Panel	Stainless	Stainless	Stainless
Handle	Full-Length	*	Tubular	Pro	Curved

**Handle not included to allow for design flexibility.*

Interior Features

- **Refrigerator**
16.1 cu ft Capacity
Air Purification System
3 Adjustable Glass Shelves
1 Stationary Glass Shelf
1 High-Humidity Drawer with Dividers
1 Storage Drawer with Dividers
Triple-Pane UV-Resistant Glass Door
- **Freezer**
5.2 cu ft Capacity
Water Filtration System
Full-Extension Roll-Out Freezer Drawer
Two-Tier Wire Storage Baskets
Automatic Ice Maker

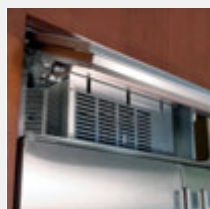
Accessories

- Louvered, panel and stainless steel grilles for 83", 84" and 88" finished heights
- Stainless steel front panels for framed and flush inset applications with stainless steel finish and handle options
- Side panels in classic stainless steel and white
- Stainless steel tubular, pro or curved handles and full-length extended handles
- Dozen egg container with lid
- Dual installation kit
- 90° door stop kit

Accessories are available through your Sub-Zero dealer. To obtain local dealer information, visit the Showroom Locator section of our website, subzero.com.



This appliance is certified by Star-K to meet strict religious regulations in conjunction with specific instructions found on www.star-k.org.



Flip-Up Grille



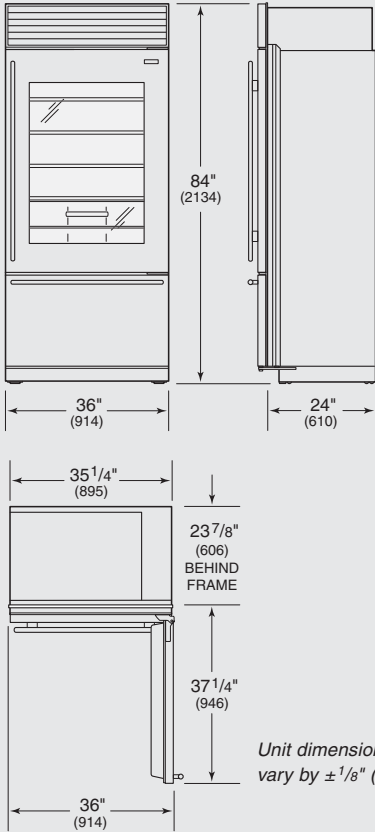
Air Purification System





Built-In Model BI-36UG

Overall Dimensions



Specifications

Overall Dimensions	36"W x 84"H x 24"D
Door Clearance	Standard 37 1/4" Flush Inset 37 3/4"
Opening Width	35 1/2"
Flush Inset Width	38"
Opening Height	83 3/4"
Flush Inset Height	84"
Opening Depth	24"
Flush Inset Depth	26 3/16"
Electrical Requirements	115 V AC, 60 Hz 15 amp circuit
Plumbing Requirements	1/4" OD copper line 30–100 psi
Shipping Weight	523–529 lbs

Installation Notes

Built-In models may be used in a standard installation or in a flush inset installation which allows the unit to be flush with surrounding cabinetry.

Built-In over-and-under models with opposite hinges can be used in a dual installation.

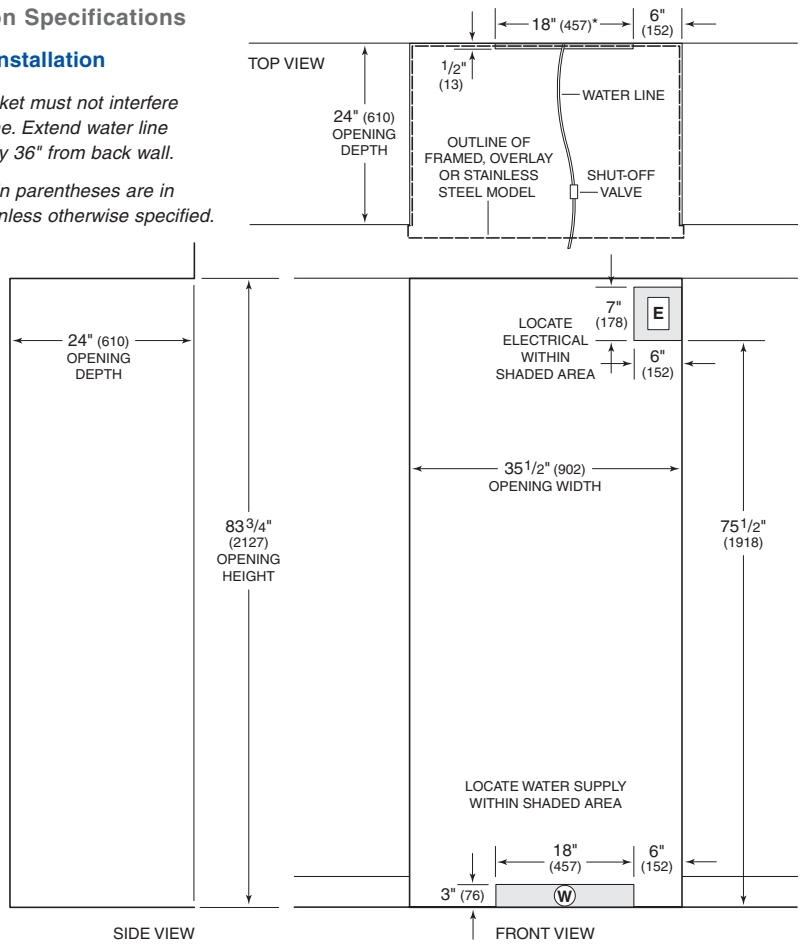
Complete installation specifications, including panel sizes, can be found on our website, subzero.com.

Installation Specifications

Standard Installation

*Anti-tip bracket must not interfere with water line. Extend water line approximately 36" from back wall.

Dimensions in parentheses are in millimeters unless otherwise specified.



Flush Inset Installation

*Anti-tip bracket must not interfere with water line. Extend water line approximately 36" from back wall.

**Dimensions based on 3/4" (19) panels.

